



# Matrox Meteor-II/Display >>

Graphics adapter for *CompactPCI*®.



## Key features

- 3U *CompactPCI*® form factor
- 32-bit/33 MHz PCI bus interface
- Matrox G550 graphics controller
- 32 MB DDR SDRAM
- resolutions up to 2048 x 1536 x 32-bpp
- DualHead® display technology
- analog VGA, digital VGA (DVI) and TV outputs
- WHQL-certified display drivers
- includes display drivers for Windows® 98, Windows® Me, Windows NT® 4.0, Windows® 2000 and Windows® XP

## High-quality industrial graphics

Matrox Meteor-II/Display is an industrial graphics adapter based on the industry-proven Matrox G550 graphics controller. It delivers unprecedented image display quality and functionality to the *CompactPCI*® platform. The Matrox Meteor-II/Display is an ideal companion to the Matrox Meteor-II family of frame grabbers for *CompactPCI*® applications requiring live video display.

### Matrox G550 graphics controller<sup>1</sup>

The Matrox G550 graphics controller is a leading 2D accelerator with 3D capabilities. The 256-bit internal architecture and high-speed 64-bit memory interface offers exceptional performance for 2D graphics including Windows® GDI and DirectDraw® functions. UltraSharp RAMDAC technology provides a crisp high-fidelity analog output.

### DualHead® display technology

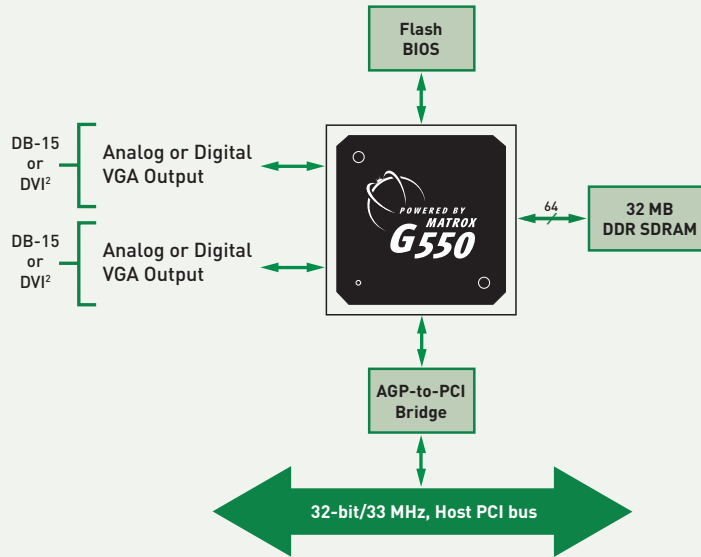
Pioneered by Matrox, the DualHead® technology incorporated into the Matrox G550 graphics controller delivers a cost-effective and versatile solution for applications requiring two independent video outputs. The Matrox Meteor-II/Display comes in three different configurations that make use of DualHead® technology: two analog VGA outputs, two digital VGA (DVI) outputs, or one analog VGA output with one digital VGA (DVI) output. A single analog VGA output can also be configured for the standard NTSC/PAL video formats.

### Solid display drivers

The Matrox Meteor-II/Display is backed by robust Windows® display drivers that help reduce downtime. These display drivers undergo extensive in-house reliability testing and are regularly certified by Microsoft®'s Windows® Hardware Quality Laboratory (WHQL). The Matrox Meteor-II/Display includes display drivers for Windows® 98, Windows® Me, Windows NT® 4.0, Windows® 2000 and Windows® XP. Multi-display configurations with independent resolutions and color depths are supported under Windows® 98, Windows® Me, Windows® 2000 and Windows® XP.



## Matrox Meteor-II/Display



### Specifications

- 3U CompactPCI® form factor
- 32-bit/33 MHz PCI bus interface
- Matrox G550 graphics controller<sup>1</sup>
  - 360 MHz primary RAMDAC (up to 2048 x 1536 x 32-bpp)
  - 230 MHz secondary RAMDAC (up to 1600 x 1200 x 32-bpp)
  - T.M.D.S. transmitters for DVI output (up to 1280 x 1024 x 32-bpp)
  - TV encoder for CVBS and Y/C NTSC/PAL video output
- 32 MB DDR SDRAM
- High-density DB-15 and/or DVI output connectors
- Display drivers for Windows® 98, Windows® Me, Windows NT® 4.0, Windows® 2000 and Windows® XP
- Dimensions: 16 cm L x 10 cm H (6.3" x 3.9")<sup>3</sup>
- Operating temperature: 0° C to 55° C (32° F to 131° F)
- Relative humidity: up to 95% (non-condensing)
- EMC: FCC/CE class B pending

### Ordering Information

#### Hardware

Part number	Description
MET2-C-DISP/AD	Graphics adapter for CompactPCI with one analog VGA and one digital VGA (DVI) output
MET2-C-DISP/A2 <sup>4</sup>	Graphics adapter for CompactPCI with two analog VGA outputs
MET2-C-DISP/D2 <sup>4</sup>	Graphics adapter for CompactPCI with two digital VGA (DVI) outputs

#### Notes:

1. Refer to the Matrox G550 chip specifications for more details.
2. Type of outputs/connectors depends on board configuration.
3. Vertical and horizontal dimensions are from edges of board excluding bracket and connector.
4. Contact local representative or Matrox sales department for availability.

#### Corporate headquarters:

Canada and U.S.A.  
**Matrox Electronic Systems Ltd.**  
 1055 St. Regis Blvd.  
 Dorval, Quebec H9P 2T4  
 Canada  
 Tel: +1 (514) 685-2630  
 Fax: +1 (514) 822-6273

#### Offices:

Europe, Middle East & Africa  
**Matrox VITE Limited**  
 Sefton Park  
 Stoke Poges  
 Buckinghamshire  
 SL2 4JS, U.K.  
 Tel: +44 (0) 1753 665511  
 Fax: +44 (0) 1753 665597

France  
**Matrox France SARL**  
 2, rue de la Couture  
 Silic 225  
 94528 Rungis Cedex  
 Tel: +33 (0) 1 45 60 62 00  
 Fax: +33 (0) 1 45 60 62 05

Germany  
**Matrox Electronic Systems GmbH**  
 Inselkammerstr. 8  
 D-82008 Unterhaching  
 Germany  
 Tel: +49 (0) 89 62 17 00  
 Fax: +49 (0) 89 614 97 43

For more information, please call: 1-800-804-6243 (toll free in North America) or (514) 822-6020  
 or e-mail: [imaging.info@matrox.com](mailto:imaging.info@matrox.com) or <http://www.matrox.com/imaging>

**matrox**

All trademarks by their respective owners are hereby acknowledged. Matrox Electronic Systems, Ltd. reserves the right to make changes in specifications at any time and without notice. The information furnished by Matrox Electronic Systems, Ltd. is believed to be accurate and reliable. However, no responsibility license is granted under any patents or patent rights of Matrox Electronic Systems, Ltd. Windows and Microsoft are trademarks of Microsoft Corporation. MMX and the MMX logo are registered trademarks of Intel Corporation. Printed in Canada, 09-21-2004. **51E-5273-D**